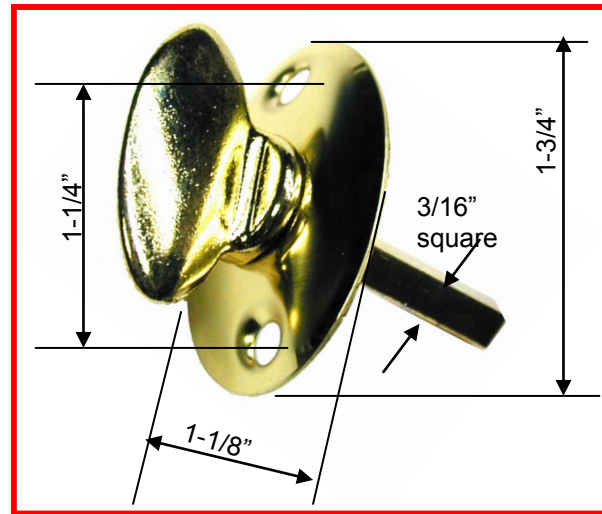
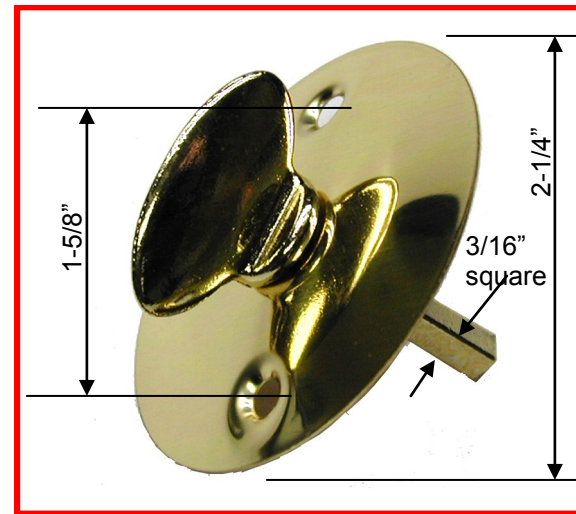


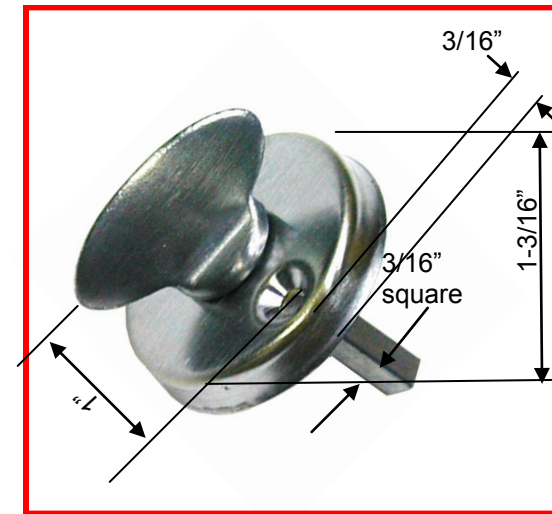
**Replacement Turn Pieces for  
Mortise Locks  
Available with 3/16" square tail or 1/4" Flat tail**



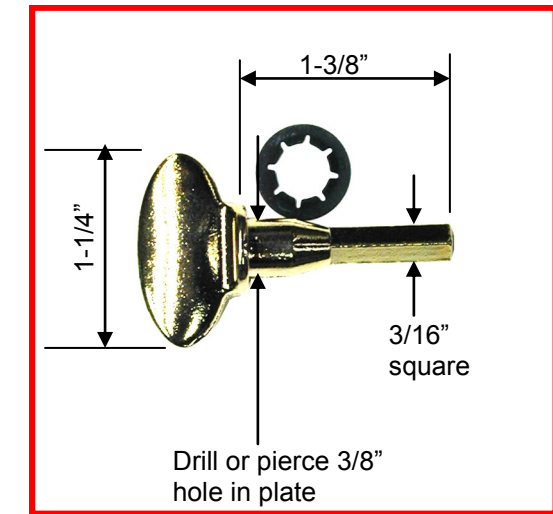
**#76 Oval Turn**



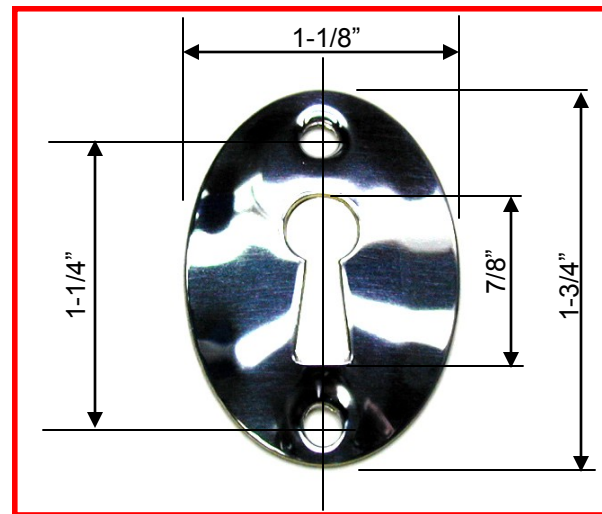
**#77 Round Turn**



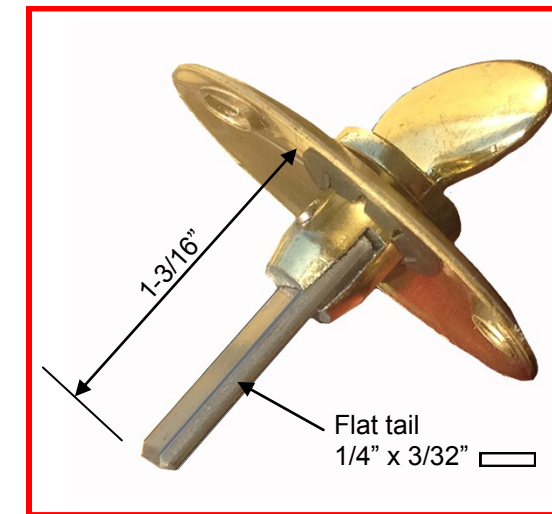
**#78 Round Turn**



**#70 Turn w/clip**



**#75 Oval Plate**



**#76FT Oval turn with flat tail**

**Any of the turn plates  
can be ordered with a  
flat tail**